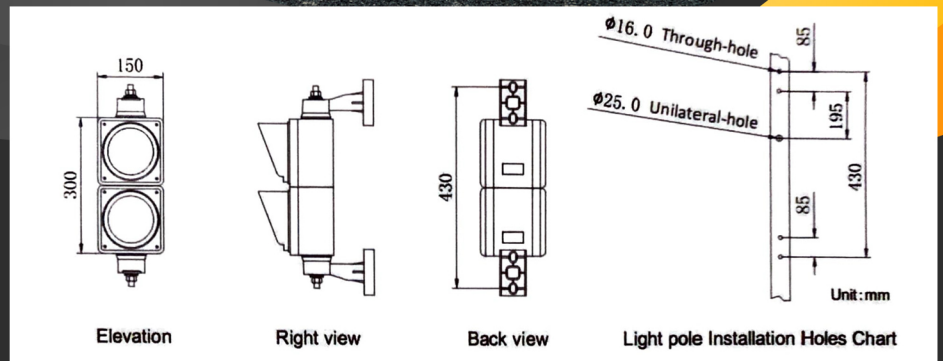




Features

- * Application - access of parking lots, warehouses, dockyards
- * Input voltage -AC85V ~ 265V/DC12V ~DC24V
- * Double layer optical lens for even light distribution
- * High intensity LED light source - low energy consumption
- * Long life cycle - more than 80,000 working hours
- * Highly durable polycarbonate housing, UV-light resistant
- * Modular design - easy installation and maintenance
- * Compliance with CE, RoHS, EN12368, 1509001

SPECIFICATION



Input Voltage	12DC	Working Temperature	-40c~+80c	
Power Factor	>-0.96	THD	≤0.2	
Housing Material	PC -- UV resistant	Housing Color	Black (other colors upon request)	
View Angle	L/R-30 ° U/D-30 °	View Distance	≥200m	
IP Grade	IP65	Warranty	3years	
Red	39pcs	≥150cd	620~630nm	<4W
Red	39pcs	≥220cd	503~508nm	<4W