

HV-POWER2 AMPLIFIER 100W

An amplifier capable of outputting 100 watts of power, typically used to drive speakers or other audio devices. 100W power amplifiers come in various types and features, suitable for different application scenarios.

Featured Features:

- ✓ High efficiency amplifier circuit
- ✓ Thermal Design
- ✓ Ensure continuous work stability
- ✓ Mobile APP remote control
- ✓ IP network architecture, cross network segment, cross routing
- ✓ Monitor Function
- ✓ Broadcast shouting
- ✓ Microphone broadcast, file broadcast, scheduled broadcast

Technical Parameter:

Rated output power	100W
output form	4Ω
frequency response	20Hz-20KHz±0.5dB
Total harmonic distortion	≤ 0.1% (at rated output power)
Power supply mode	AC220V 50-60HZ
Working temp	-20°C to 65°C
volume	190×140×43(mm)

Product schematic diagram (physical):
190mmX140mmX43mm

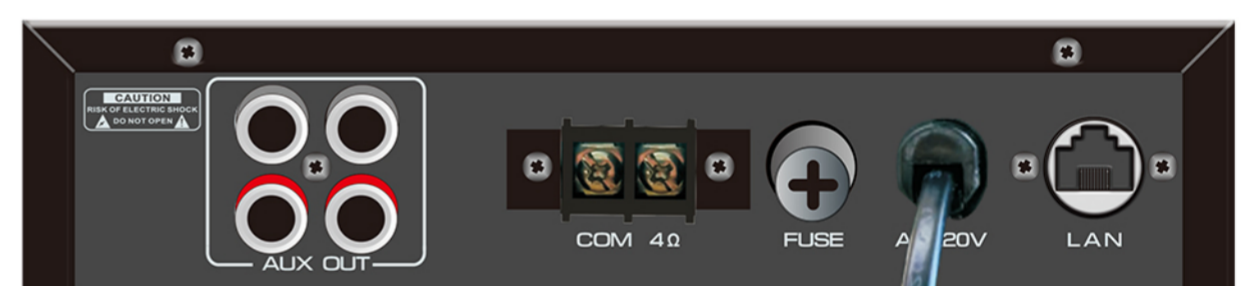
Front



Back



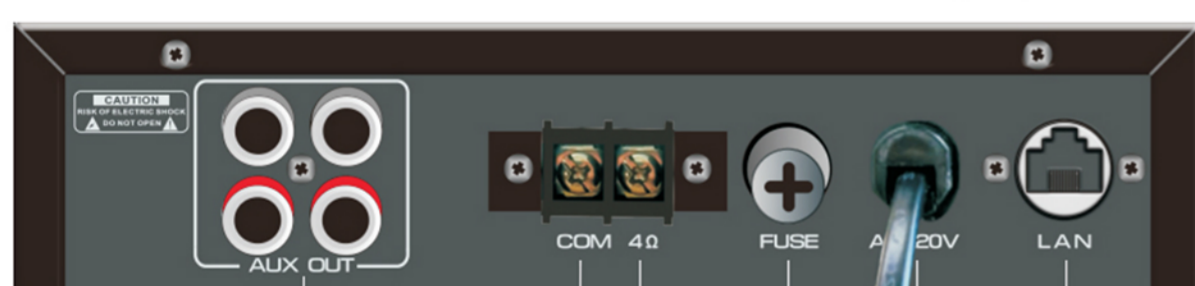
Equipment plan color map:



Introduction to Panel Functions:

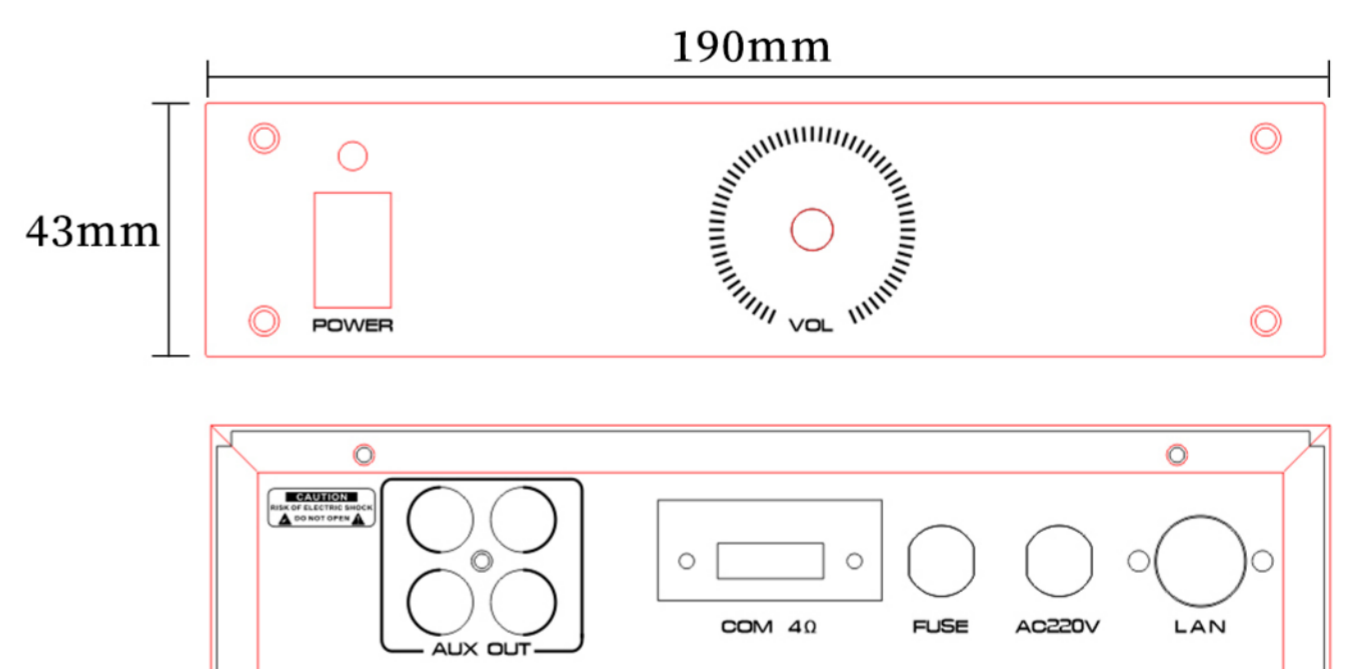


- ① (1) power switch: I status is turned on When in 0 state, it is turned off.
- ② (2) Total volume adjustment knob: Increase the volume clockwise, On the contrary, it decreases slightly.



- ① (1) Line output
- ② (2) Common ground terminal
- ③ (3) Fixed resistance 4 Ω output terminal
- ④ (4) Fuse holder
- ⑤ (5) AC220V input
- ⑥ (6) Network interface

Equipment line draft diagram:



precautions:

- 1. USE AC220V (50HZ-60HZ).
- 2. DO NOT BLOCK THE VENTILATION OPENING TO AVOID AFFECTING THE HEAT DISSIPATION EFFECT.
- 3. UNNECESSARY LOAD SHORT CIRCUITS SHOULD BE AVOIDED.
- 4. IF THE MACHINE EXHIBITS ABNORMAL PHENOMENA, NON PROFESSIONALS ARE NOT ALLOWED TO OPEN THE MACHINE FOR MAINTENANCE TO AVOID ELECTRIC SHOCK ACCIDENTS.